



METALWORKS

PRODUCT CATALOG

2016

CONTENTS:

I. Towers BKL series (24 - 52 meters)	
• design of 30m tower.....	1
• design of 40m tower	2
• design of 50m tower	3
II. Towers BK series (60 - 120 meters)	
• design of 62m tower.....	4
• design of 72m tower	5
• design of 80m tower	6
• design of 90m tower	7
III. Self support towers MTU series (24 - 60 meters)	
• design of 40m tower.....	8
• design of 60m tower.....	9
IV. Self support towers RTU series (30 - 63 meters)	
• design of 54m tower.....	10
V. Rooftop masts MFR series (15 - 36 meters)	
• design of 21m mast.....	11
VI. Self support masts MWF series (23 - 50 meters)	
• design of 39m mast.....	12
• design of 50m mast.....	13
VII. Masts MF series (36 - 180 meters)	
• design of 90m mast.....	14
VIII. Monopole series (26 - 36 meters)	
• design of 30m monopole.....	15
IX. Tower for heavy loads (30 - 204 meters)	
• design of 31,5m tower.....	16
• design of 163,47m tower	17
X. Others	
• lighting poles 4-10 m	18
• steel work.....	19

DESIGN LOADS

Max Antenna Loads - 12 m²

Design Wind Speed - III wind zone
0.38 kPa

Weight – 4000 kg

Hot Dip Galvanizing + Painting
Or
Painting

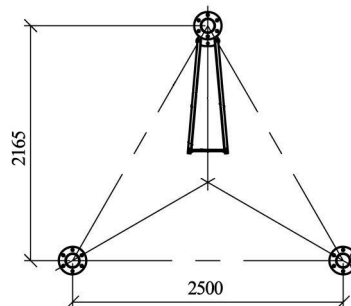
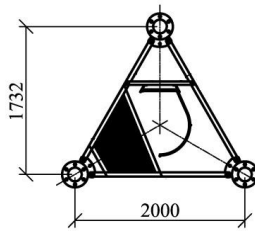
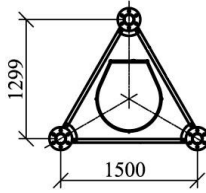
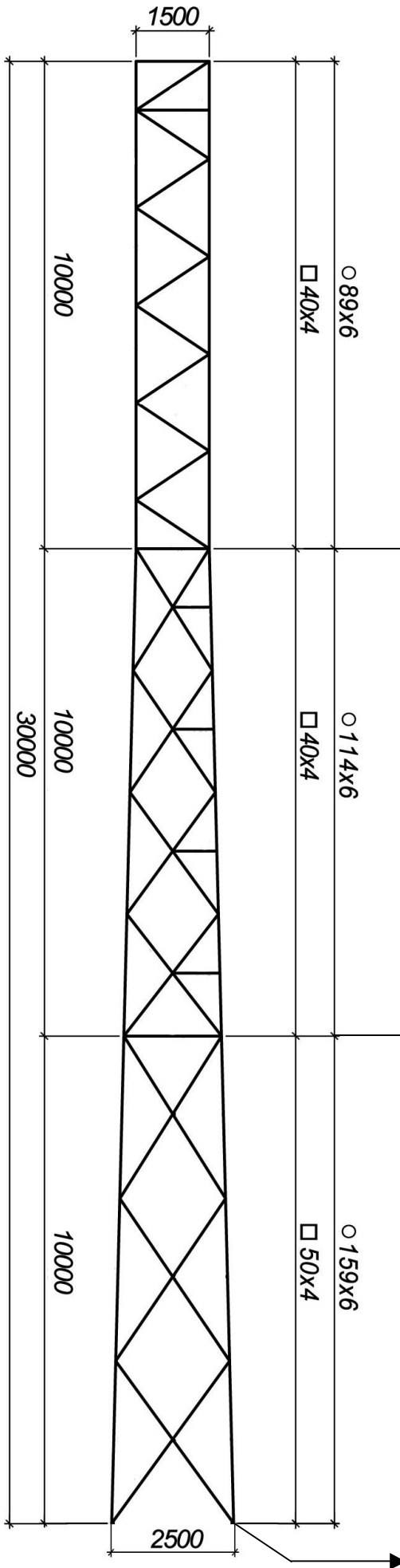


BM INDUSTRIAL Ltd.
Valkas street 2,
Daugavpils,
Latvia
LV-5417

DRAWING TITLE

TOWER BKL-30

NOTE: THESE DETAILS ARE ISSUED AND CONTROLLED BY BM INDUSTRIAL Ltd.
THESE DRAWING SHALL NOT BE REPRODUCED IN WHOLE NOT IN PART WHITOUT THE EXPRESS WRITTEN PERMISSION OF BM INDUSTRIAL Ltd.
THE INFORMATION GIVEN IN THIS DRAWING SHALL NOT BE DISCLOSED TO ANY THIRD PARTY.



DESIGN LOADS

Max Antenna Loads - 12 m2

Design Wind Speed - III wind zone
0.38 kPa

Weight – 5500 kg

Hot Dip Galvanizing + Painting
Or
Painting

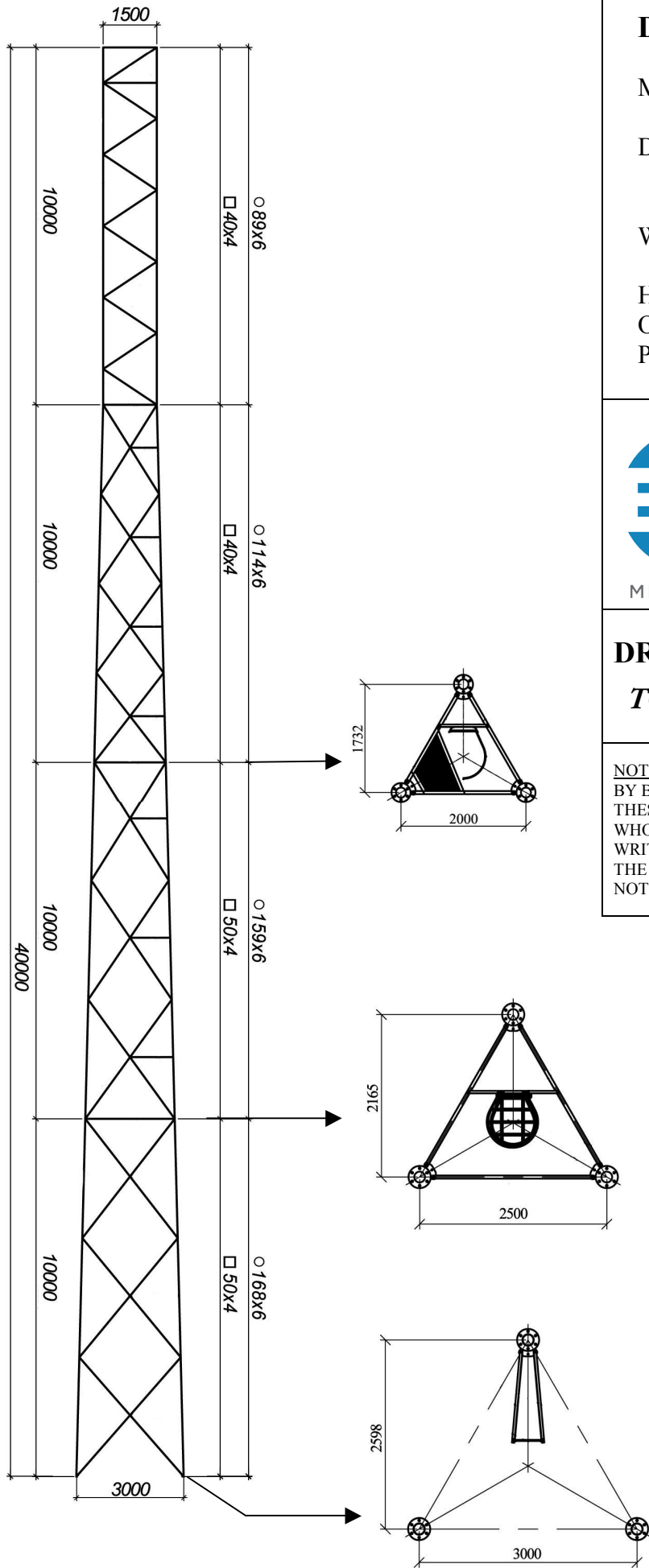


BM INDUSTRIAL Ltd.
Valkas street 2,
Daugavpils,
Latvia
LV-5417

DRAWING TITLE

TOWER BKL-40

NOTE: THESE DETAILS ARE ISSUED AND CONTROLLED BY BM INDUSTRIAL Ltd.
THESE DRAWING SHALL NOT BE REPRODUCED IN WHOLE NOT IN PART WHITOUT THE EXPRESS WRITTEN PERMISSION OF BM INDUSTRIAL Ltd.
THE INFORMATION GIVEN IN THIS DRAWING SHALL NOT BE DISCLOSED TO ANY THIRD PARTY.



DESIGN LOADS

Max Antenna Loads - 12 m2

Design Wind Speed - III wind zone
0.38 kPa

Weight – 7800 kg

Hot Dip Galvanizing + Painting
Or
Painting

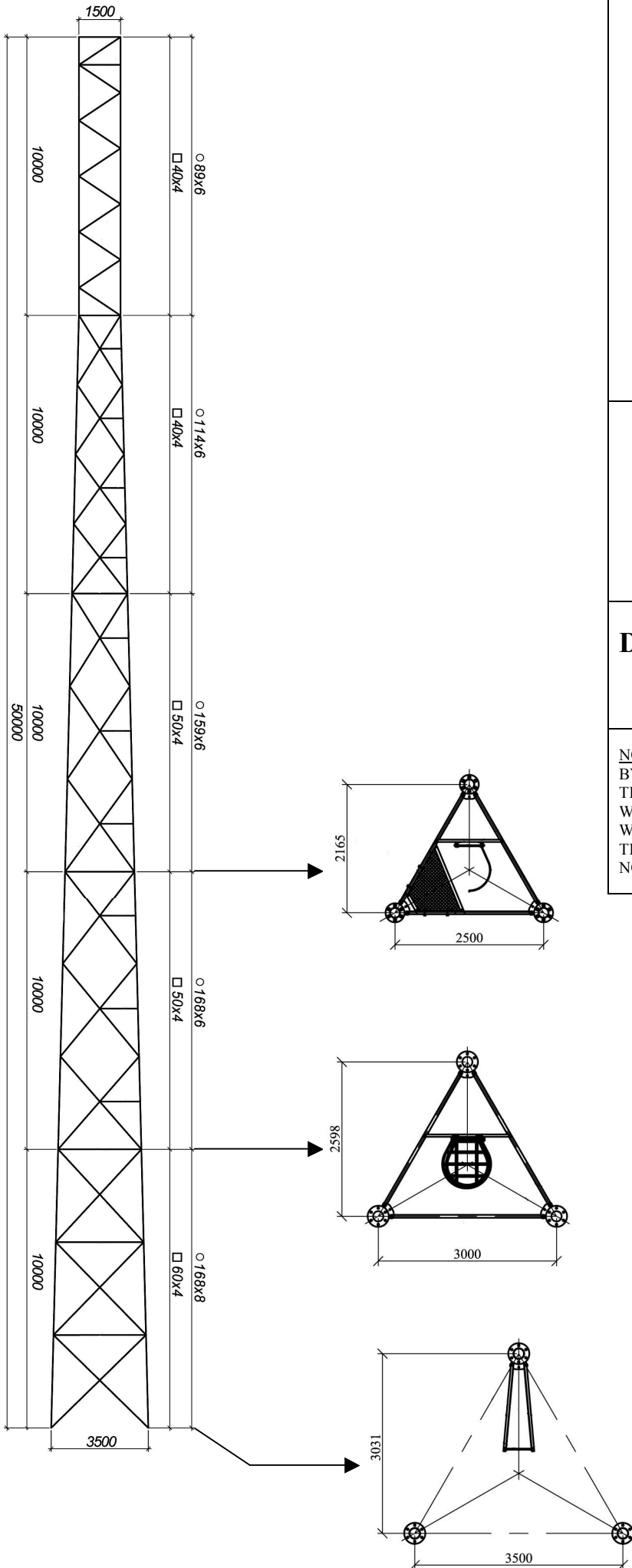


BM INDUSTRIAL Ltd.
Valkas street 2,
Daugavpils,
Latvia
LV-5417

DRAWING TITLE

TOWER BKL-50

NOTE: THESE DETAILS ARE ISSUED AND CONTROLLED BY BM INDUSTRIAL Ltd.
THESE DRAWING SHALL NOT BE REPRODUCED IN WHOLE NOT IN PART WHITOUT THE EXPRESS WRITTEN PERMISSION OF BM INDUSTRIAL Ltd.
THE INFORMATION GIVEN IN THIS DRAWING SHALL NOT BE DISCLOSED TO ANY THIRD PARTY.



DRAWING NOT TO SCALE

DESIGN LOADS

Max Antenna Loads - 16 m²

Design Wind Speed - IV wind zone
0.48 kPa

Weight – 12800 kg

Hot Dip Galvanizing + Painting
Or
Painting

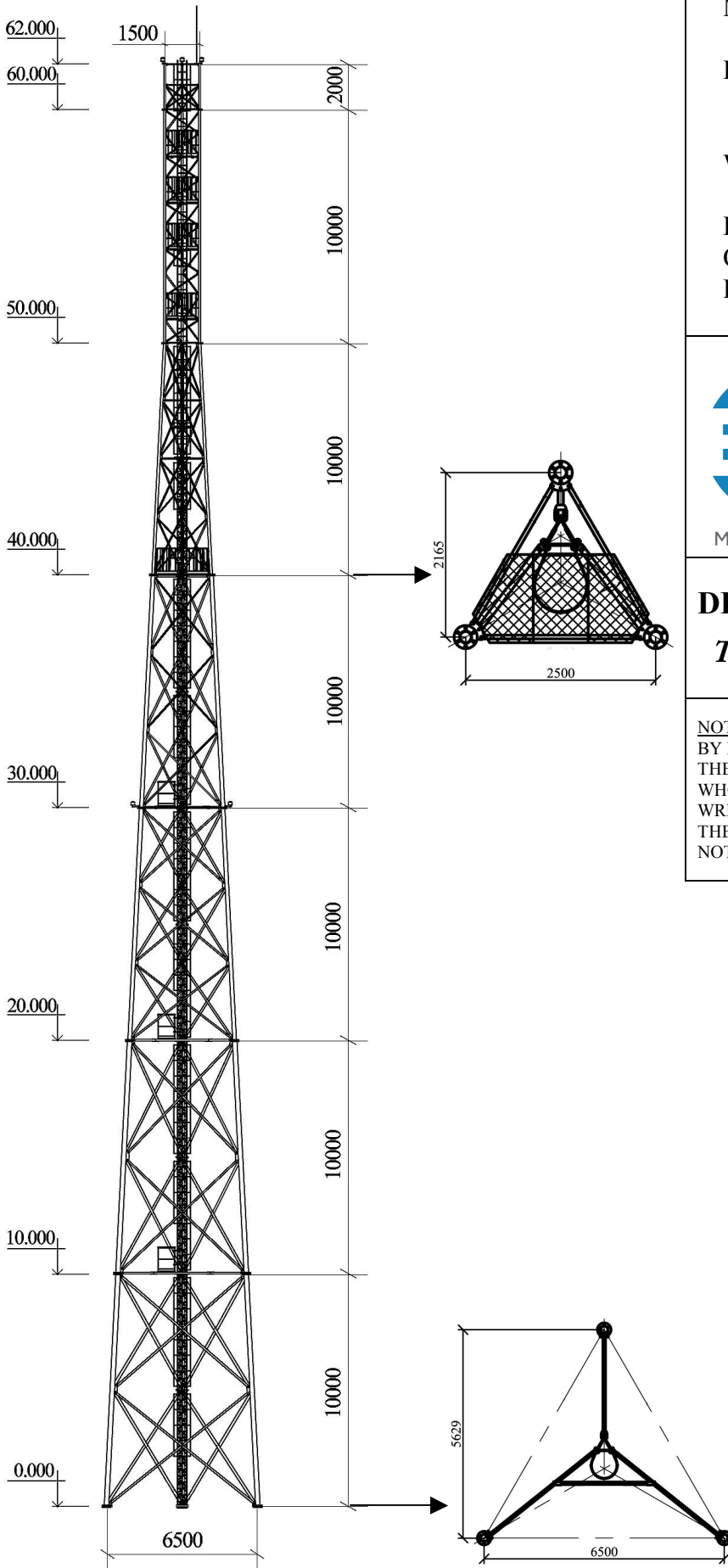


BM INDUSTRIAL Ltd.
Valkas street 2,
Daugavpils,
Latvia
LV-5417

DRAWING TITLE

TOWER BK-62L

NOTE: THESE DETAILS ARE ISSUED AND CONTROLLED BY BM INDUSTRIAL Ltd.
THESE DRAWING SHALL NOT BE REPRODUCED IN WHOLE NOT IN PART WHITOUT THE EXPRESS WRITTEN PERMISSION OF BM INDUSTRIAL Ltd.
THE INFORMATION GIVEN IN THIS DRAWING SHALL NOT BE DISCLOSED TO ANY THIRD PARTY.



DESIGN LOADS

Max Antenna Loads - 16 m²

Design Wind Speed - IV wind zone
0.48 kPa

Weight – 15900 kg

Hot Dip Galvanizing + Painting
Or
Painting

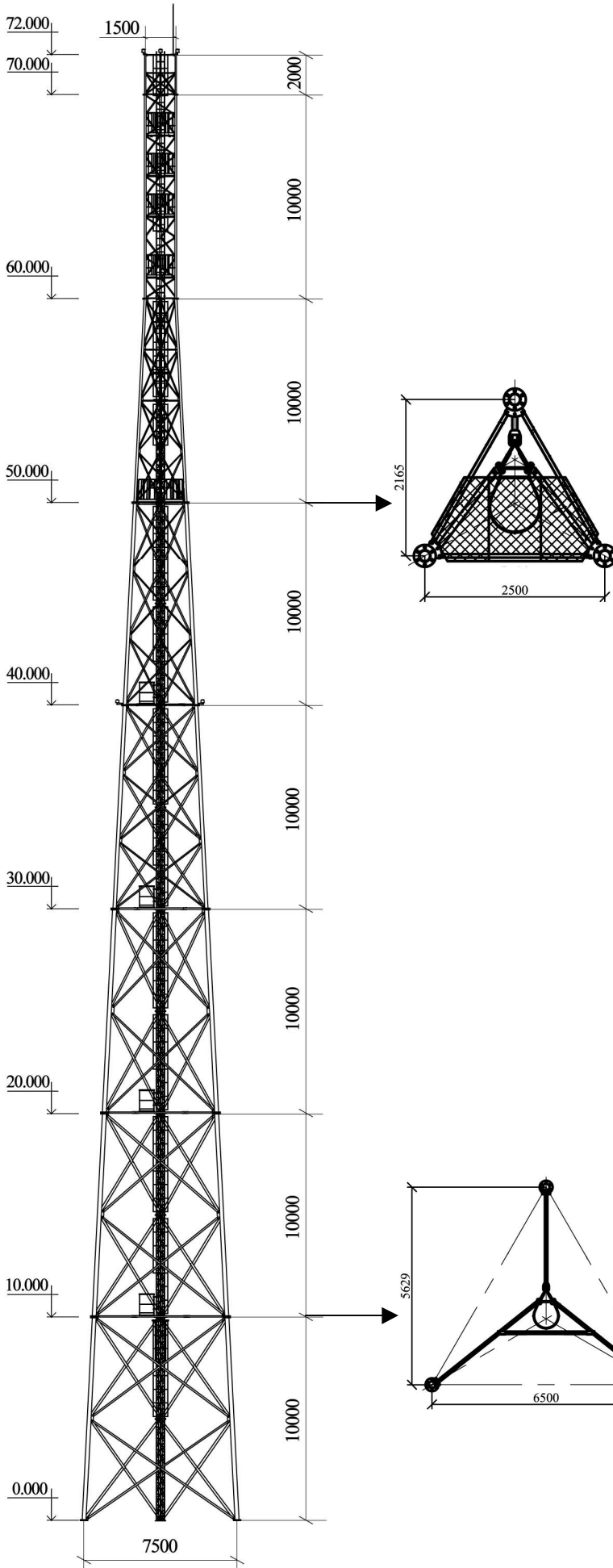


BM INDUSTRIAL Ltd.
Valkas street 2,
Daugavpils,
Latvia
LV-5417

DRAWING TITLE

TOWER BK-72L

NOTE: THESE DETAILS ARE ISSUED AND CONTROLLED BY BM INDUSTRIAL Ltd.
THESE DRAWING SHALL NOT BE REPRODUCED IN WHOLE NOT IN PART WHITOUT THE EXPRESS WRITTEN PERMISSION OF BM INDUSTRIAL Ltd.
THE INFORMATION GIVEN IN THIS DRAWING SHALL NOT BE DISCLOSED TO ANY THIRD PARTY.



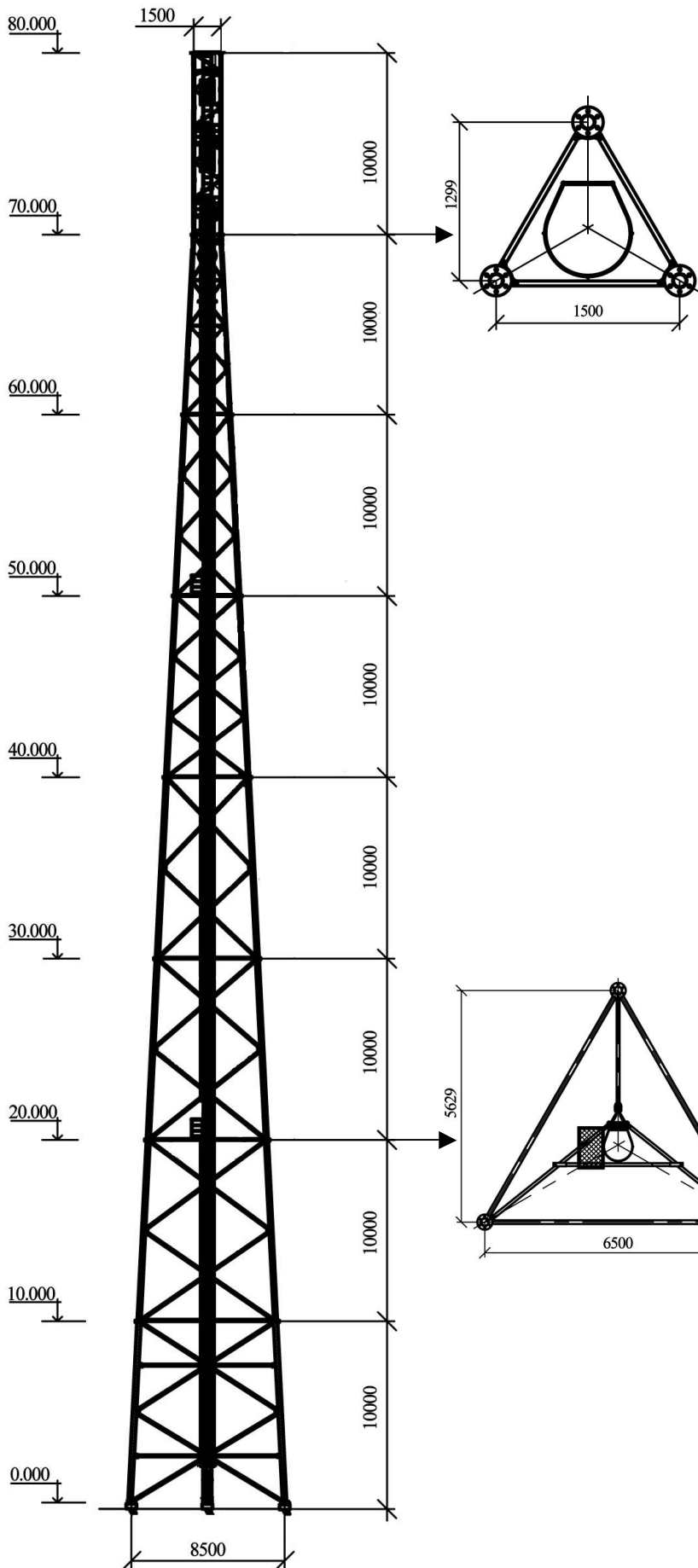
DESIGN LOADS

Max Antenna Loads - 16 m²

Design Wind Speed - III wind zone
0.38 kPa

Weight – 20200 kg

Hot Dip Galvanizing + Painting
Or
Painting



BM INDUSTRIAL Ltd.

Valkas street 2,
Daugavpils,
Latvia
LV-5417

DRAWING TITLE

TOWER BK-80W

NOTE: THESE DETAILS ARE ISSUED AND CONTROLLED BY BM INDUSTRIAL Ltd.
THESE DRAWING SHALL NOT BE REPRODUCED IN WHOLE NOT IN PART WHITOUT THE EXPRESS WRITTEN PERMISSION OF BM INDUSTRIAL Ltd.
THE INFORMATION GIVEN IN THIS DRAWING SHALL NOT BE DISCLOSED TO ANY THIRD PARTY.

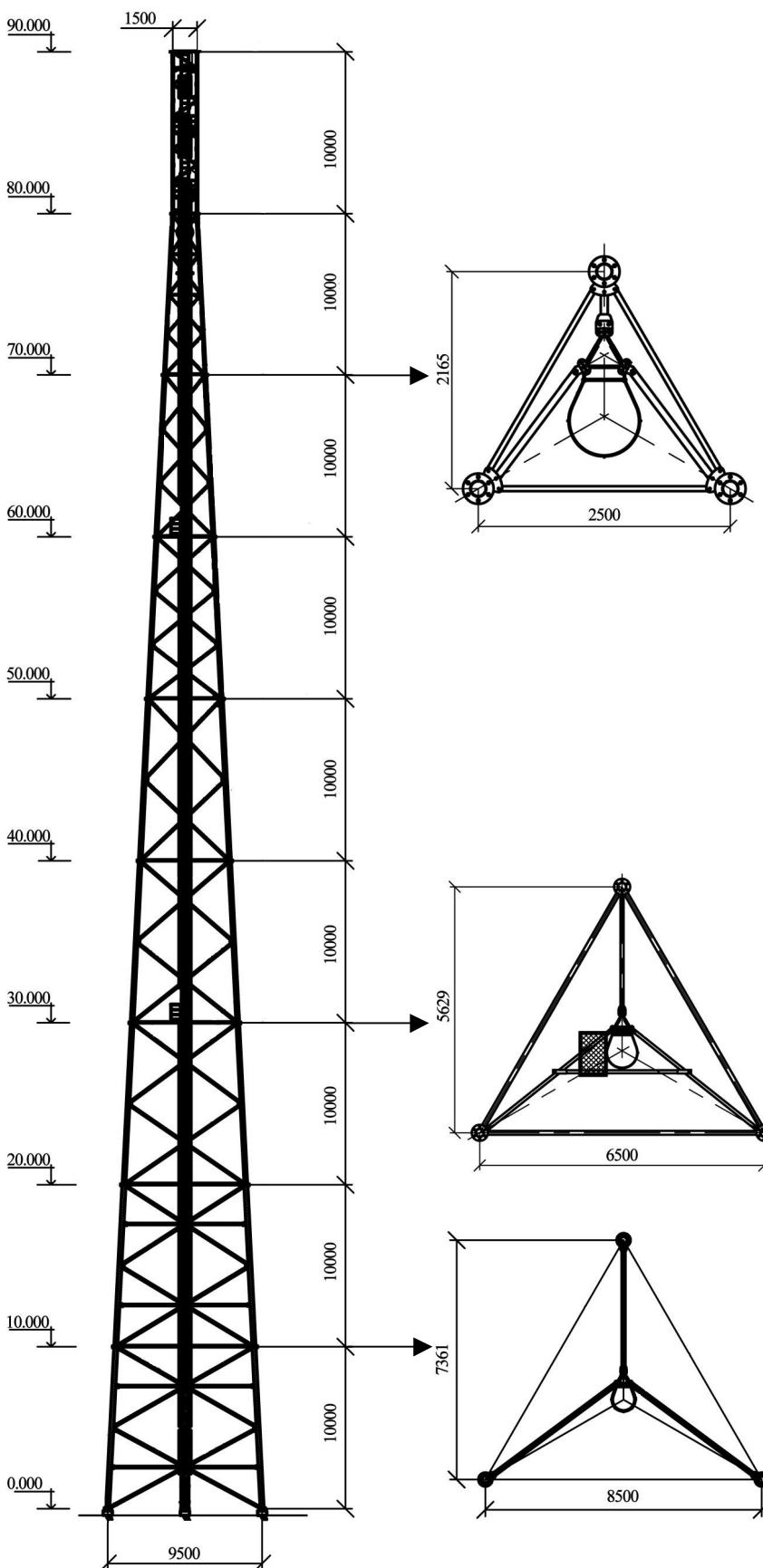
DESIGN LOADS

Max Antenna Loads - 16 m2

Design Wind Speed - III wind zone
0.38 kPa

Weight – 25700 kg

Hot Dip Galvanizing + Painting
Or
Painting



BM INDUSTRIAL Ltd.
Valkas street 2,
Daugavpils,
Latvia
LV-5417

DRAWING TITLE

TOWER BK-90W

NOTE: THESE DETAILS ARE ISSUED AND CONTROLLED BY BM INDUSTRIAL Ltd.
THESE DRAWING SHALL NOT BE REPRODUCED IN WHOLE NOT IN PART WHITOUT THE EXPRESS WRITTEN PERMISSION OF BM INDUSTRIAL Ltd.
THE INFORMATION GIVEN IN THIS DRAWING SHALL NOT BE DISCLOSED TO ANY THIRD PARTY.

DESIGN LOADS

Max Antenna Loads - 12 m2

Design Wind Speed - II wind zone
0.30 kPa

Hot Dip Galvanizing + Painting
Or
Painting



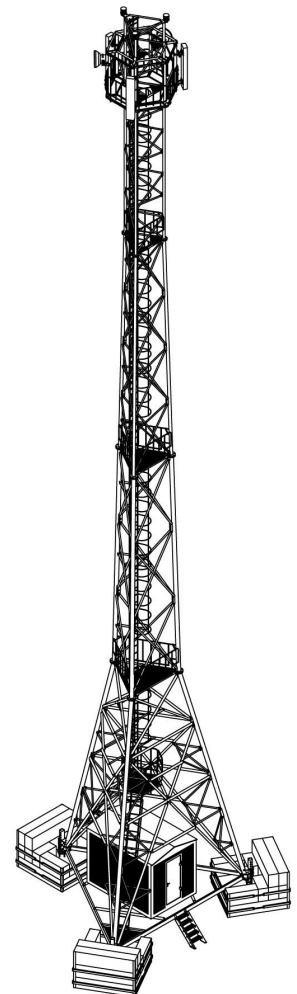
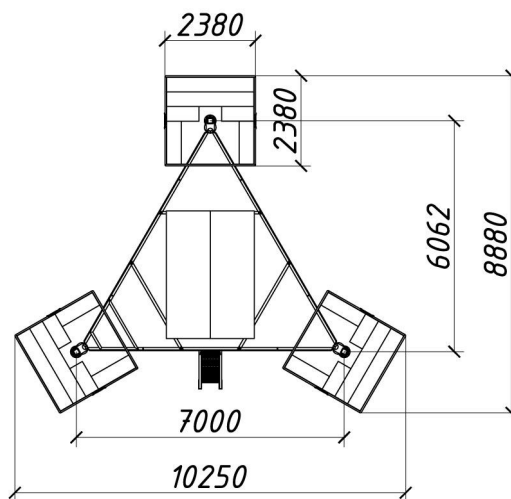
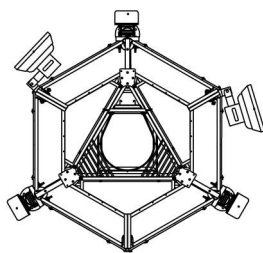
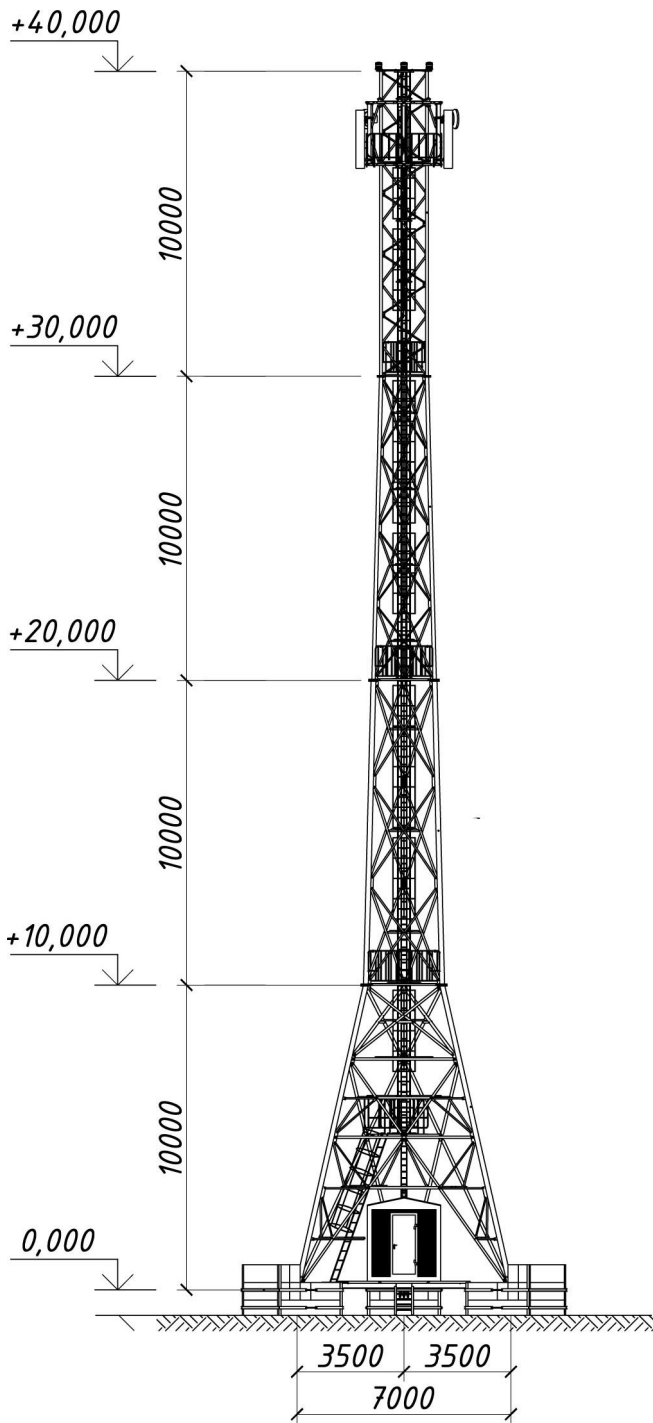
BM INDUSTRIAL Ltd.

Valkas street 2,
Daugavpils,
Latvia
LV-5417

DRAWING TITLE

SELF SUPPORT TOWER MTU-40

NOTE: THESE DETAILS ARE ISSUED AND CONTROLLED BY BM INDUSTRIAL Ltd.
THESE DRAWING SHALL NOT BE REPRODUCED IN WHOLE NOT IN PART WHITOUT THE EXPRESS WRITTEN PERMISSION OF BM INDUSTRIAL Ltd.
THE INFORMATION GIVEN IN THIS DRAWING SHALL NOT BE DISCLOSED TO ANY THIRD PARTY.



DRAWING NOT TO SCALE

DESIGN LOADS

Max Antenna Loads - 6 m²
(<350 kg)
Design Wind Speed - III wind zone
0.38 kPa

Weight – 1000 kg

Hot Dip Galvanizing + Painting
Or
Painting



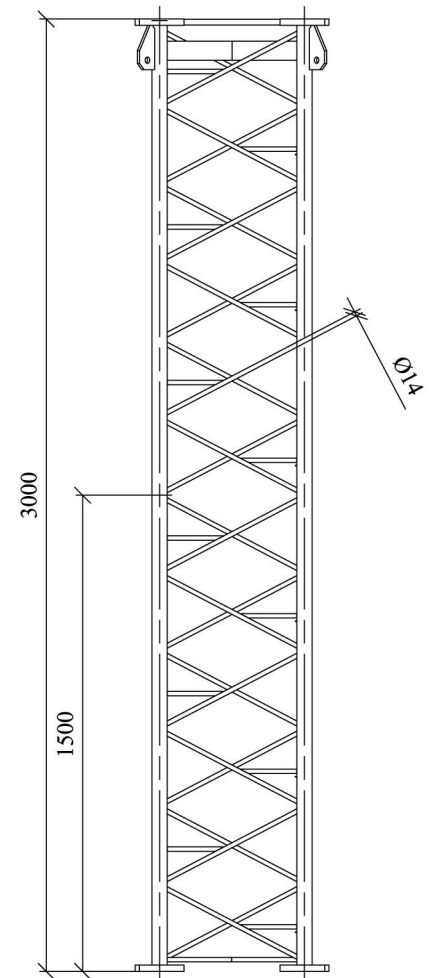
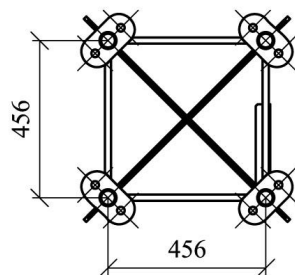
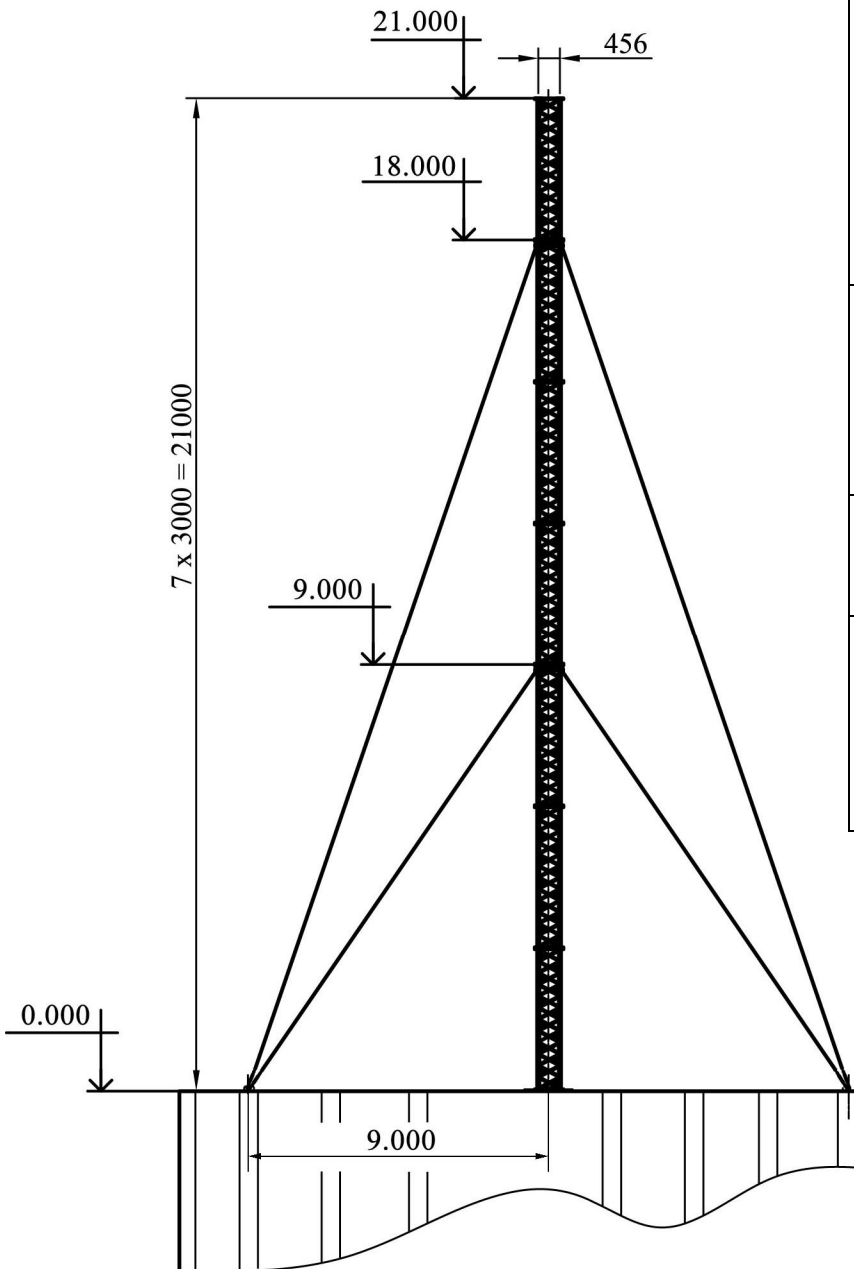
BM INDUSTRIAL Ltd.

Valkas street 2,
Daugavpils,
Latvia
LV-5417

DRAWING TITLE

MAST MFR-21

NOTE: THESE DETAILS ARE ISSUED AND CONTROLLED BY BM INDUSTRIAL Ltd.
THESE DRAWING SHALL NOT BE REPRODUCED IN WHOLE NOT IN PART WHITOUT THE EXPRESS WRITTEN PERMISSION OF BM INDUSTRIAL Ltd.
THE INFORMATION GIVEN IN THIS DRAWING SHALL NOT BE DISCLOSED TO ANY THIRD PARTY.



DRAWING NOT TO SCALE

DESIGN LOADS

Max Antenna Loads - 6 m²

Design Wind Speed - III wind zone
0.38 kPa

Weight – 5900 kg

Hot Dip Galvanizing + Painting
Or
Painting

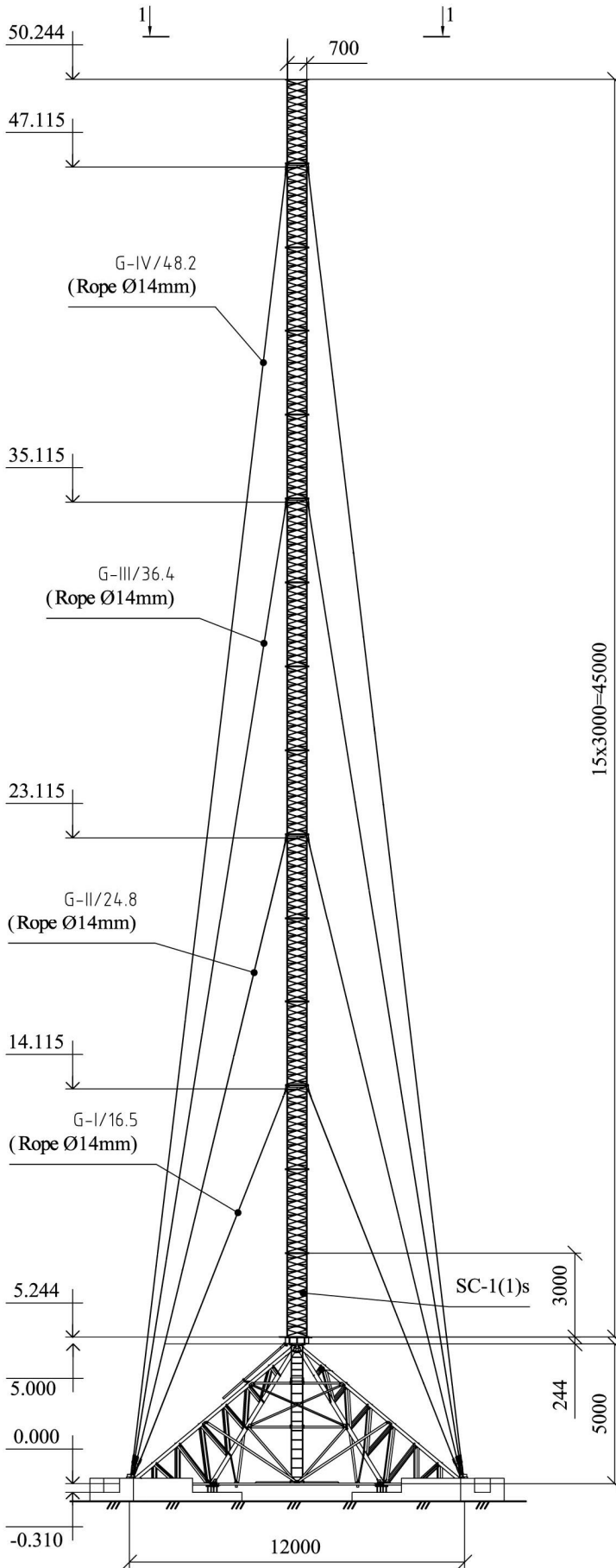


BM INDUSTRIAL Ltd.
Valkas street 2,
Daugavpils,
Latvia
LV-5417

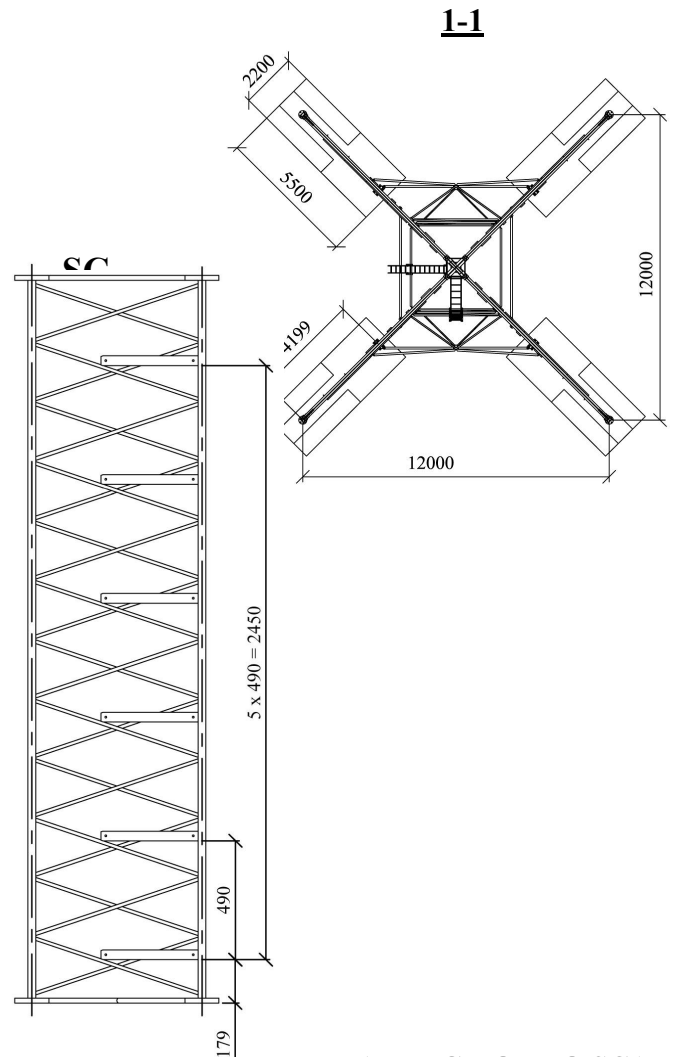
DRAWING TITLE

SELF SUPPORT MAST MWF-50

NOTE: THESE DETAILS ARE ISSUED AND CONTROLLED BY BM INDUSTRIAL Ltd. THESE DRAWING SHALL NOT BE REPRODUCED IN WHOLE NOT IN PART WHITOUT THE EXPRESS WRITTEN PERMISSION OF BM INDUSTRIAL Ltd. THE INFORMATION GIVEN IN THIS DRAWING SHALL NOT BE DISCLOSED TO ANY THIRD PARTY.



15x3000=45000



DRAWING NOT TO SCALE

DESIGN LOADS

Max Antenna Loads - 14 m²
(<850 kg)
Design Wind Speed - IV wind zone
0.48 kPa
Weight - 12000 kg

Hot Dip Galvanizing + Painting
Or
Painting

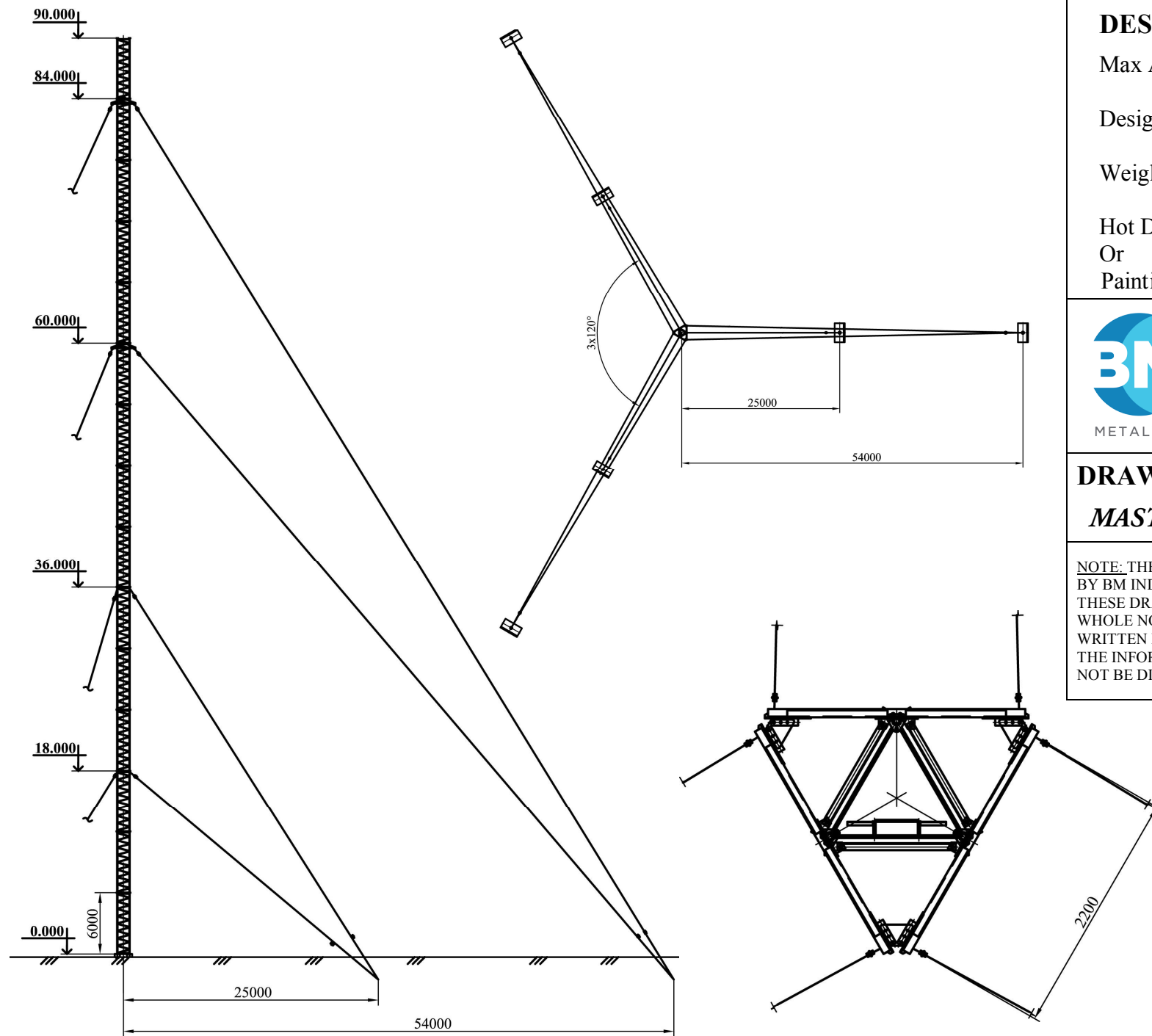


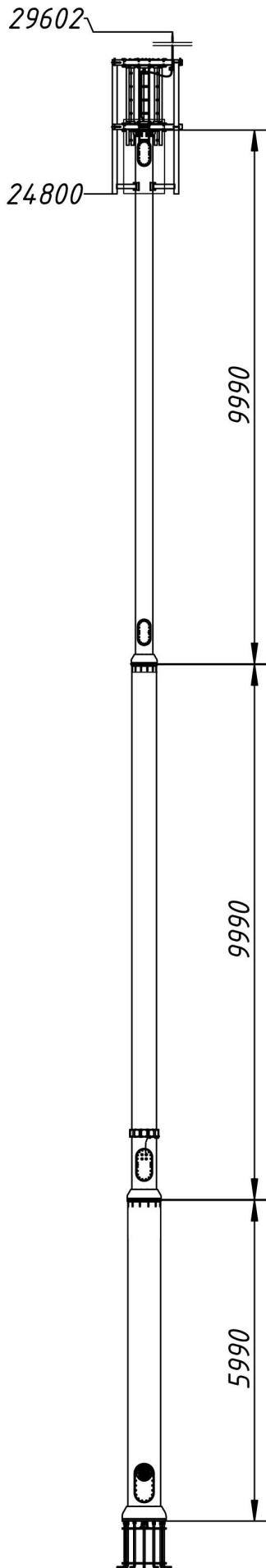
BM INDUSTRIAL Ltd.
Valkas street 2,
Daugavpils,
Latvia
LV-5417

DRAWING TITLE

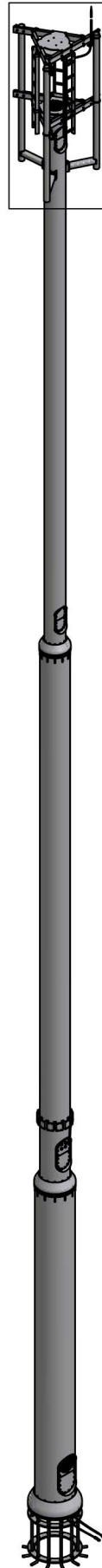
MAST MF-90W

NOTE: THESE DETAILS ARE ISSUED AND CONTROLLED BY BM INDUSTRIAL Ltd.
THESE DRAWING SHALL NOT BE REPRODUCED IN WHOLE NOT IN PART WHITOUT THE EXPRESS WRITTEN PERMISSION OF BM INDUSTRIAL Ltd.
THE INFORMATION GIVEN IN THIS DRAWING SHALL NOT BE DISCLOSED TO ANY THIRD PARTY.





A



DESIGN LOADS

Max Antenna Loads - 6 m²

Design Wind Speed - III wind zone
0.38 kPa

Weight – 3600 kg

Hot Dip Galvanizing
Or
Painting

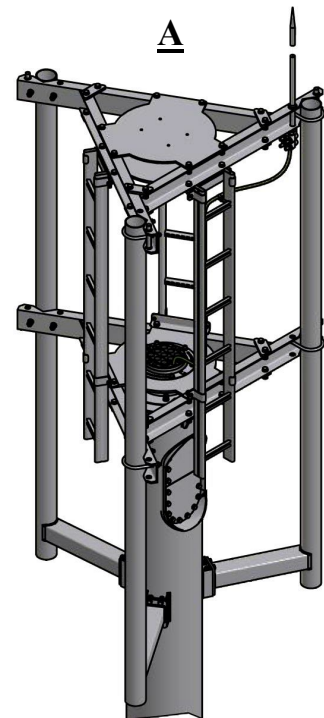


BM INDUSTRIAL Ltd.
Valkas street 2,
Daugavpils,
Latvia
LV-5417

DRAWING TITLE

MONOPOLE-30m

NOTE: THESE DETAILS ARE ISSUED AND CONTROLLED BY BM INDUSTRIAL Ltd.
THESE DRAWING SHALL NOT BE REPRODUCED IN WHOLE NOT IN PART WHITOUT THE EXPRESS WRITTEN PERMISSION OF BM INDUSTRIAL Ltd.
THE INFORMATION GIVEN IN THIS DRAWING SHALL NOT BE DISCLOSED TO ANY THIRD PARTY.



DESIGN LOADS

Tower for heavy loads with elevator

Design Wind Speed - II wind zone
0.30 kPa

Weight – 38000 kg

Hot Dip Galvanizing + Painting
Or
Painting



BM INDUSTRIAL Ltd.

Valkas street 2,
Daugavpils,
Latvia
LV-5417

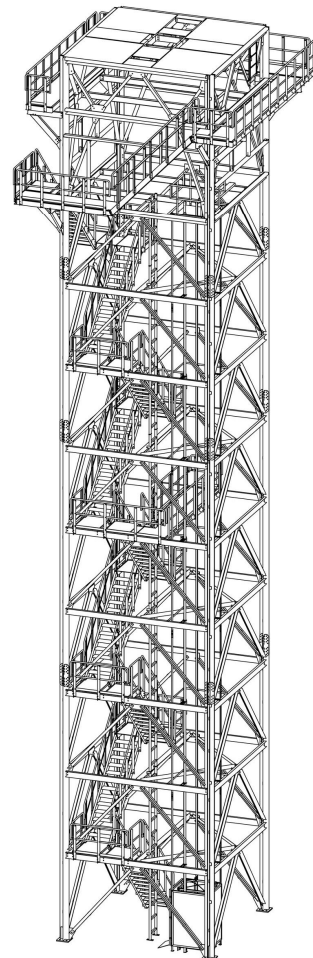
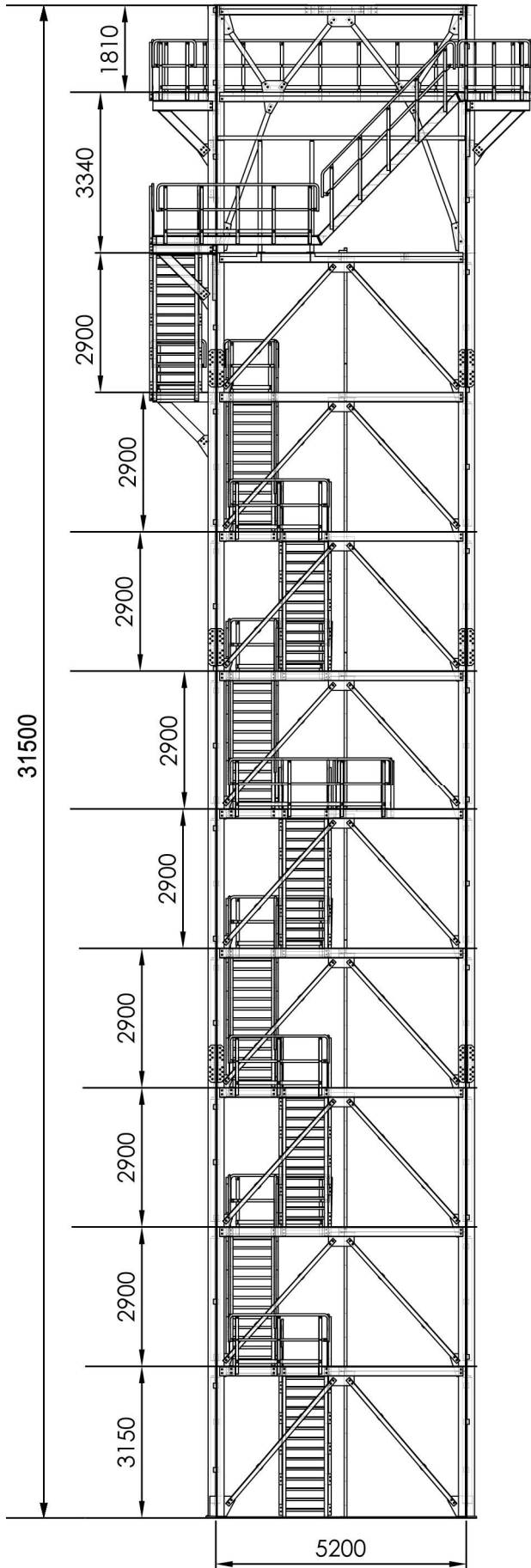
DRAWING TITLE

Tower for meteorological equipment

H=31,5 m

NOTE: THESE DETAILS ARE ISSUED AND CONTROLLED BY BM INDUSTRIAL Ltd.

THESE DRAWING SHALL NOT BE REPRODUCED IN WHOLE NOT IN PART WHITOUT THE EXPRESS WRITTEN PERMISSION OF BM INDUSTRIAL Ltd. THE INFORMATION GIVEN IN THIS DRAWING SHALL NOT BE DISCLOSED TO ANY THIRD PARTY.



DESIGN LOADS

Tower for heavy loads

Design Wind Speed - II wind zone
0.30 kPa

Weight – 235000 kg

Hot Dip Galvanizing + Painting
Or
Painting



BM INDUSTRIAL Ltd.

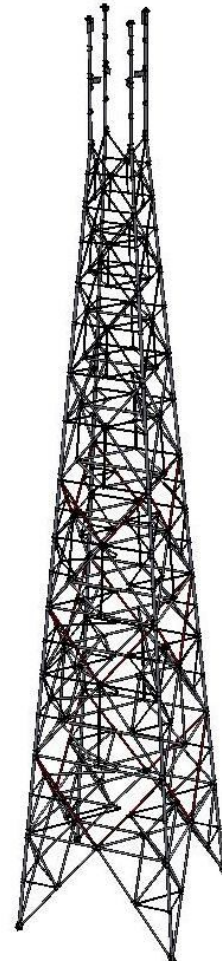
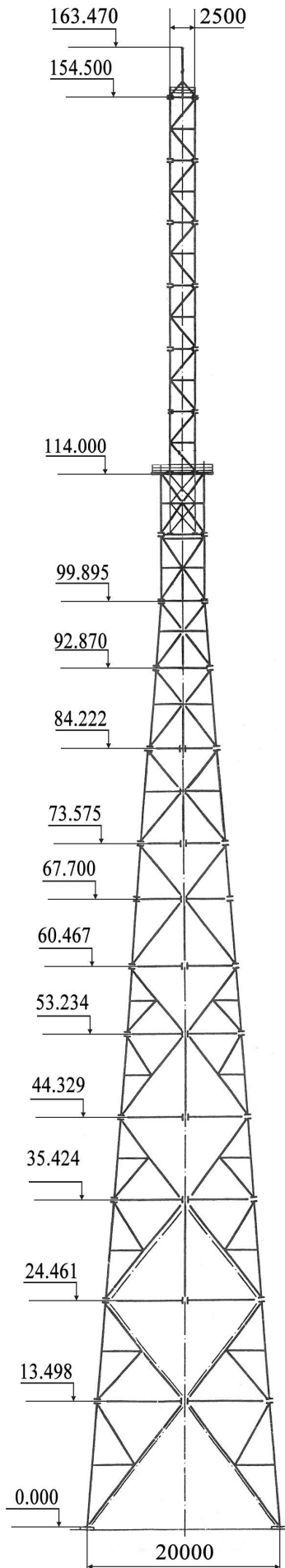
Valkas street 2,
Daugavpils,
Latvia
LV-5417

DRAWING TITLE

Radio/Telecommunication Tower

H=163,47 m

NOTE: THESE DETAILS ARE ISSUED AND CONTROLLED BY BM INDUSTRIAL Ltd.
THESE DRAWING SHALL NOT BE REPRODUCED IN WHOLE NOT IN PART WHITOUT THE EXPRESS WRITTEN PERMISSION OF BM INDUSTRIAL Ltd.
THE INFORMATION GIVEN IN THIS DRAWING SHALL NOT BE DISCLOSED TO ANY THIRD PARTY.



DRAWING NOT TO SCALE

DESIGN LOADS

Design Wind Speed - III wind zone
0.38 kPa

Hot Dip Galvanizing + Painting
Or
Painting



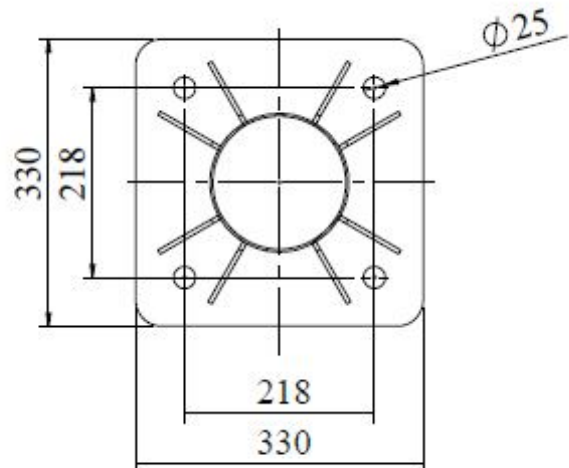
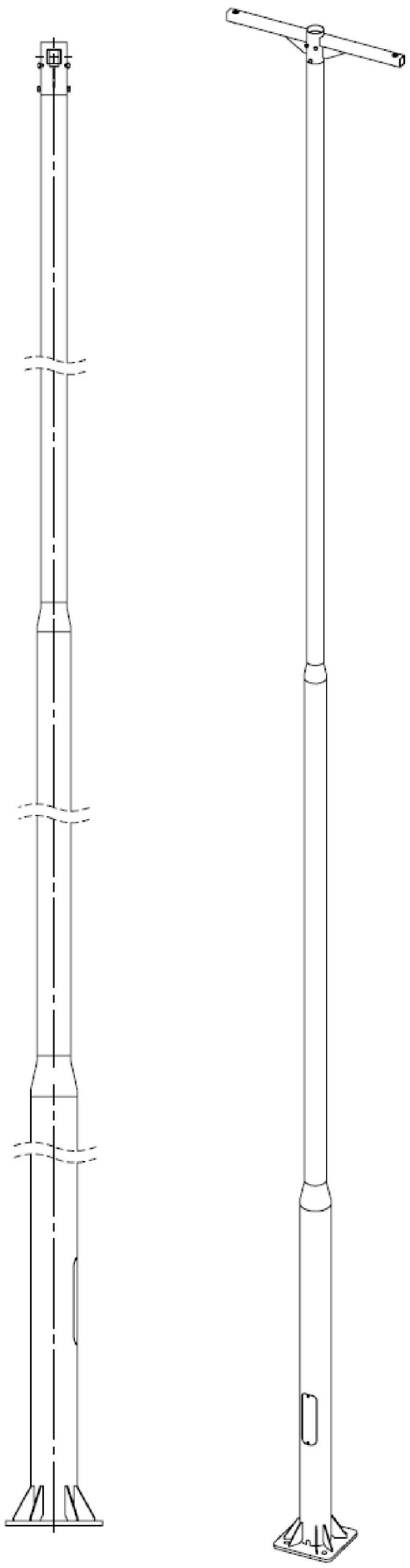
BM INDUSTRIAL Ltd.

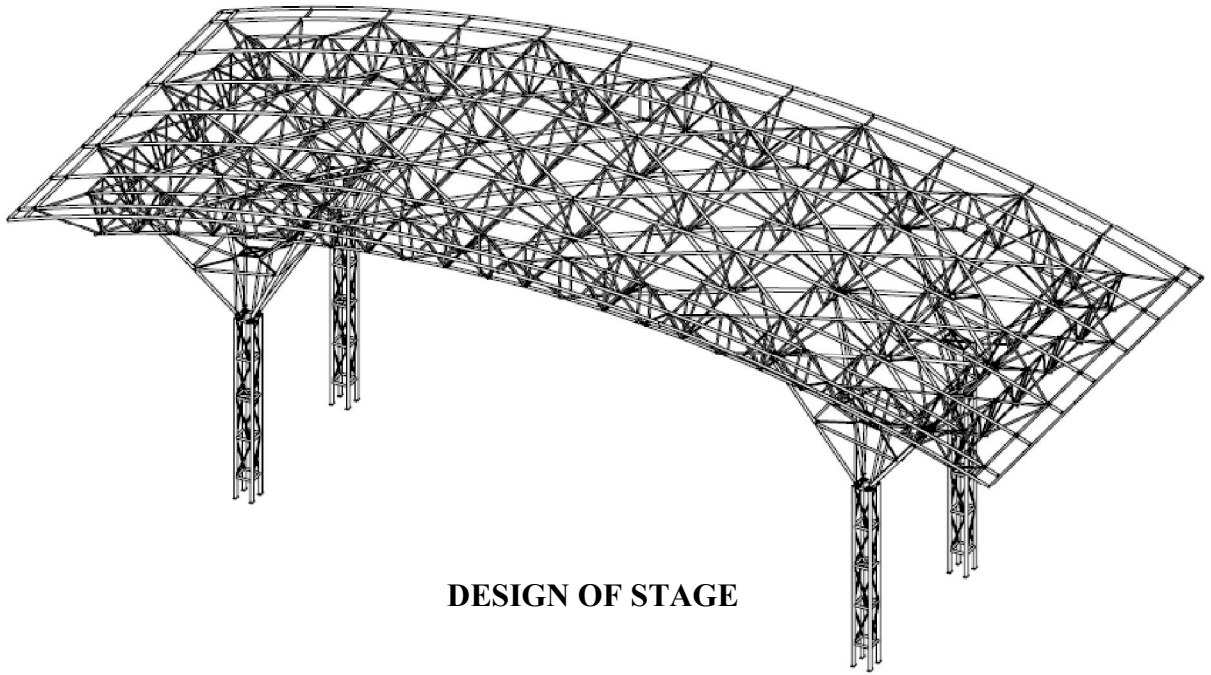
Valkas street 2,
Daugavpils,
Latvia
LV-5417

DRAWING TITLE

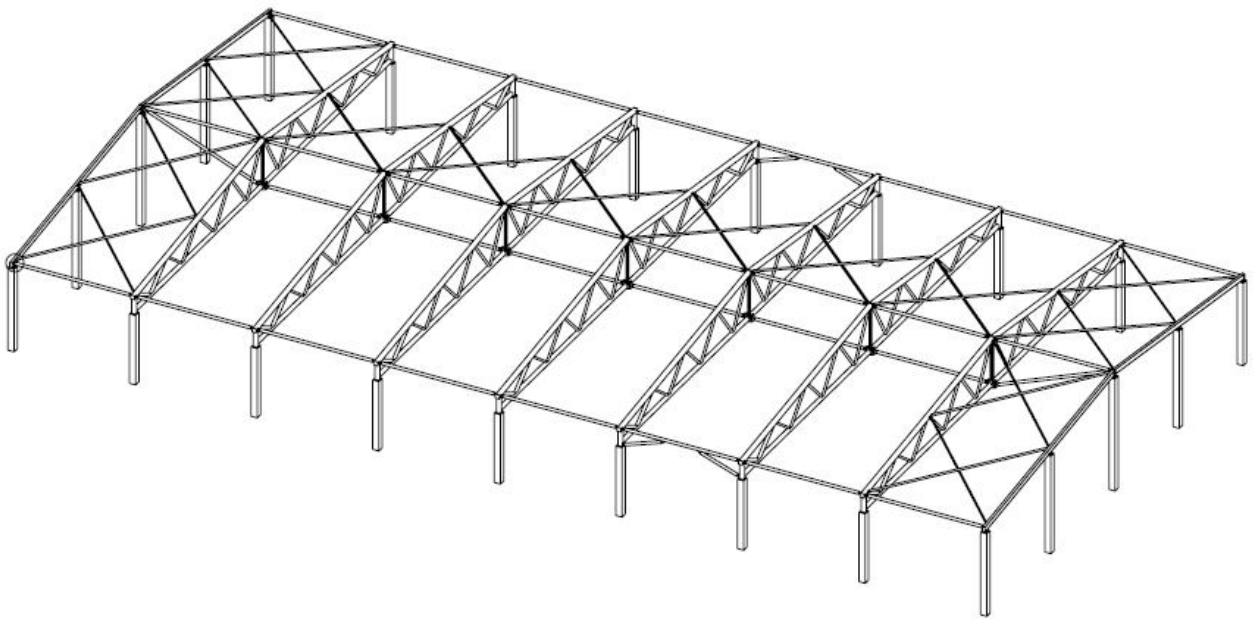
LIGHTING POLE 4-10m

NOTE: THESE DETAILS ARE ISSUED AND CONTROLLED BY BM INDUSTRIAL Ltd.
THESE DRAWING SHALL NOT BE REPRODUCED IN WHOLE NOT IN PART WHITOUT THE EXPRESS WRITTEN PERMISSION OF BM INDUSTRIAL Ltd.
THE INFORMATION GIVEN IN THIS DRAWING SHALL NOT BE DISCLOSED TO ANY THIRD PARTY.

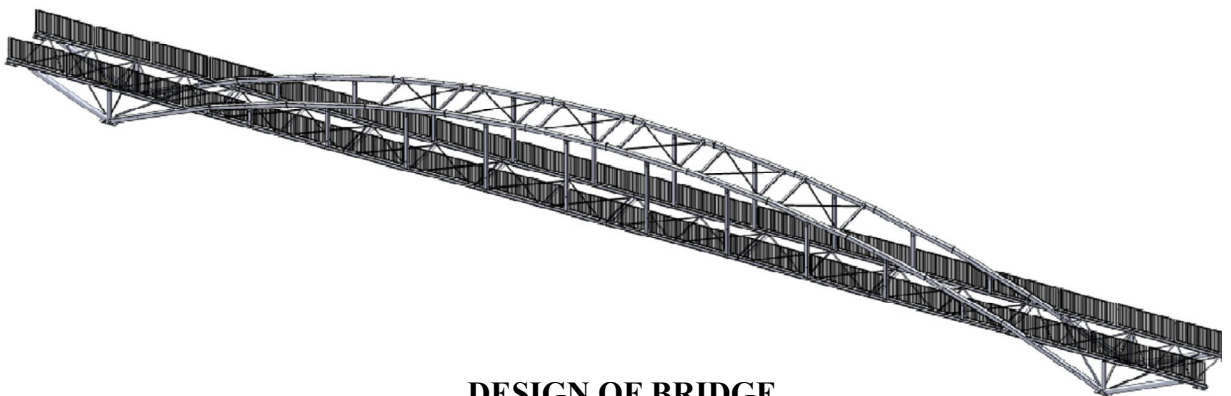




DESIGN OF STAGE



DESIGN OF HANGAR



DESIGN OF BRIDGE